

Document Camera

QPC25 User Manual



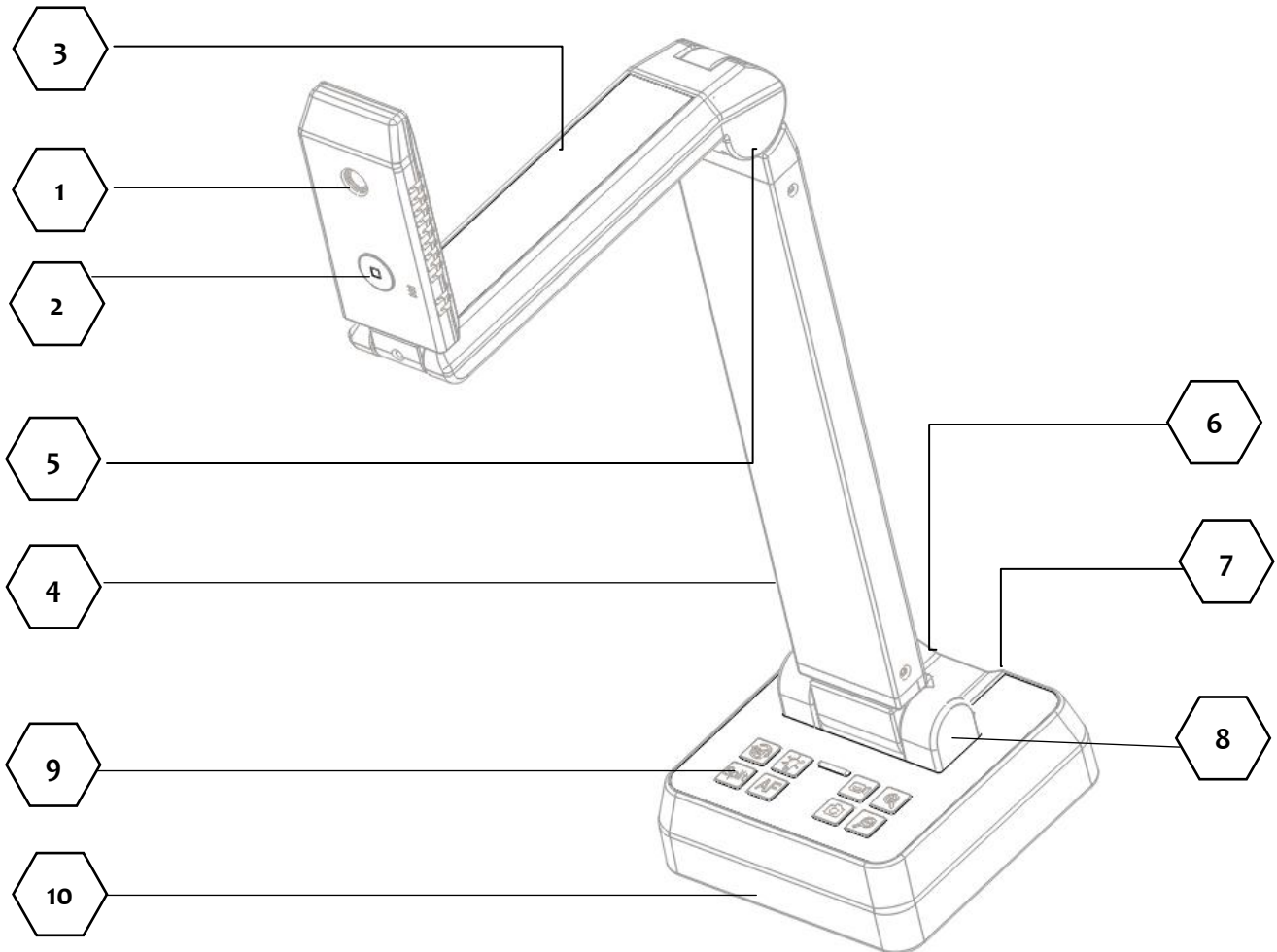
Contents

Precautions	1
Parts Identification	2
Specification	4
Install and Connect	5
Make Adjustments	5
Software Features	7
Problems and Solutions	8

Precautions





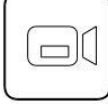
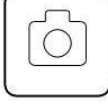


- ◆ Do not look directly at the LED light source, this may cause retinal damage.
- ◆ Do not touch the camera glass, this may cause blurred images.
- ◆ Do not disassemble it to perform any repair. In case of damage please contact technical support.
- ◆ Do not use the unit continuously for more than 24 hours with camera auto focus on. It may cause damage to the camera lens.
- ◆ To prevent fire or shock hazard, do not expose the unit to rain or moisture.
- ◆ Be careful not to spill water or other liquids onto the unit, or allow combustible or metallic objects to get inside.
- ◆ Unplug and fold the Document Camera when it is not in use for an extended period of time.
- ◆ Clean the parts with a soft cloth lightly moistened with a mild detergent.
- ◆ Clean lens carefully with an air spray or soft dry cloth to avoid scratching.

Parts Identification



No.	Part names	No.	Part names
1	Camera	6	Software Install Port
2	Built-in LED	7	USB2.0 Port
3	Mechanical Arm-1	8	Base Pivot
4	Mechanical Arm-2	9	Shortcut Buttons
5	Main Pivot	10	Compact Sturdy Base


Quick access to the functions by provided shortcut buttons on document camera: Rotate, Split, Auto focus, Video Record, Capture, Zoom in/out as below.

Buttons	Functions
	Rotate image by 0 %90 %180 %270 °
	Display a split screen with one half of the screen frozen and the other half to display live image.
	Power on/off the supplement LED lamps.
	Automatic focus.
	Record a video clip.
	Captured a still image.
	Zoom in.
	Zoom out.

Specification

Image Sensor	1/4" CMOS
Max. Pixels	5.0MP
Aperture	F=2.4mm
Auto Exposure	YES
Autofocus	YES
Auto White Balance	YES
Image Split	YES
Image Title	YES
Image Freeze	YES
Image Rotate	0 °, 90 °, 180 °, 270 °
Zoom in/out	YES
Resolution Support	640*480, 800*600, 1024*768, 720p, 1080p, 5.0M,
Shooting Area	420*297mm
Frame Rate	5M@15fps
Video and Record	Video and audio record
Operating System	Windows XP/7/8.1/10
Lens Rotation	Vertically 180 °, Horizontally 270 °
Microphone	Built-in microphone
Lighting	4 built-in ultra-bright LEDs
USB Port	USB 2.0
Output Style	MJPEG/YUV
Power	DC 5V 500mA
Power Consumption	≤2.5W
Certificates	CE, FCC, RoHS
Warranty	2 years
Weight	1.8kg
Dimensions Folded	31.0*10.0*4.5 cm

Install and Connect

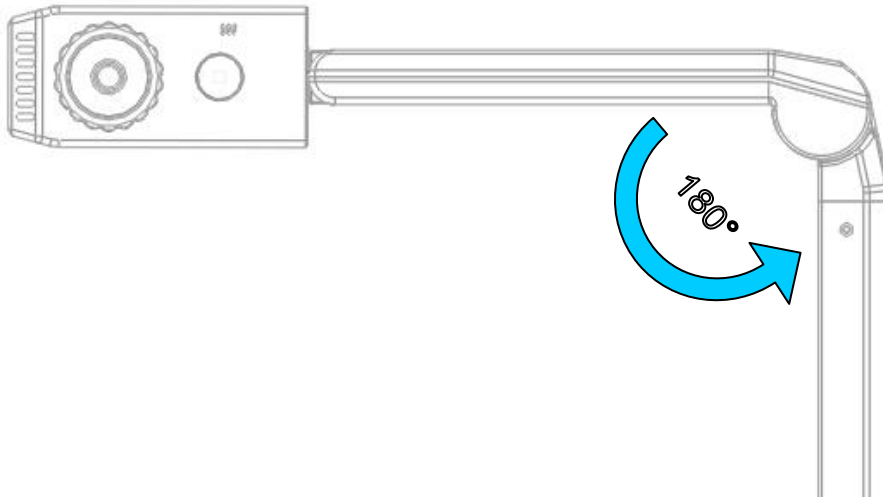
1. Connect the USB cable to the QPC25 Install port, and its other side to the computer. Find the software installation disk.
2. Open the disk and double click on the “setup.exe” file in the root directory.
3. Follow the instructions displayed during the installation. The shortcut icon  the desktop will be displayed if installation is finished.
4. After installation, unplug the USB cable on the hardware Install port and connect to the Power port.

Make Adjustments

Mechanical arms and camera head on the document camera that can be adjusted for image shooting and video recording.

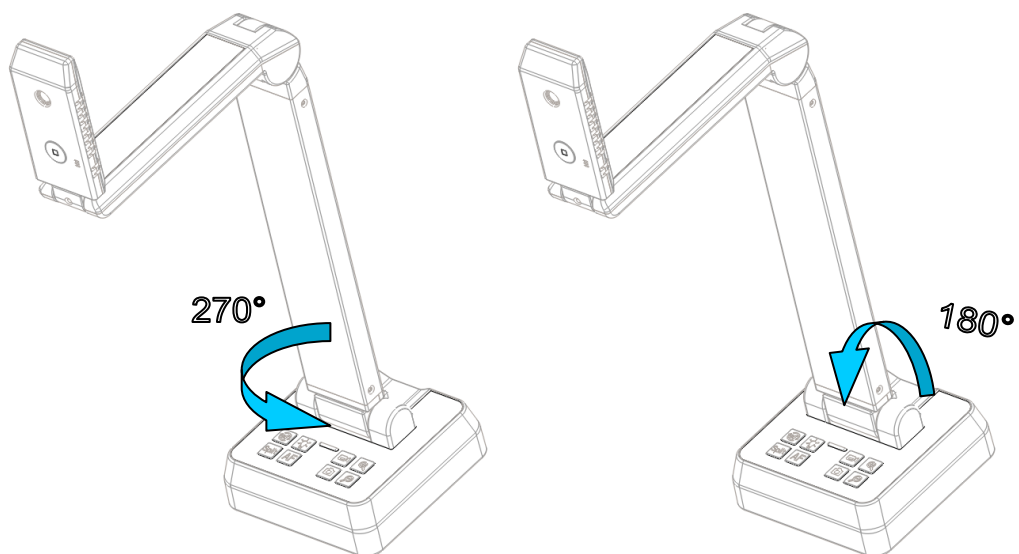
Adjust mechanical arm1

The mechanical arm can 180 degree turn up and down to increase or decrease the image.



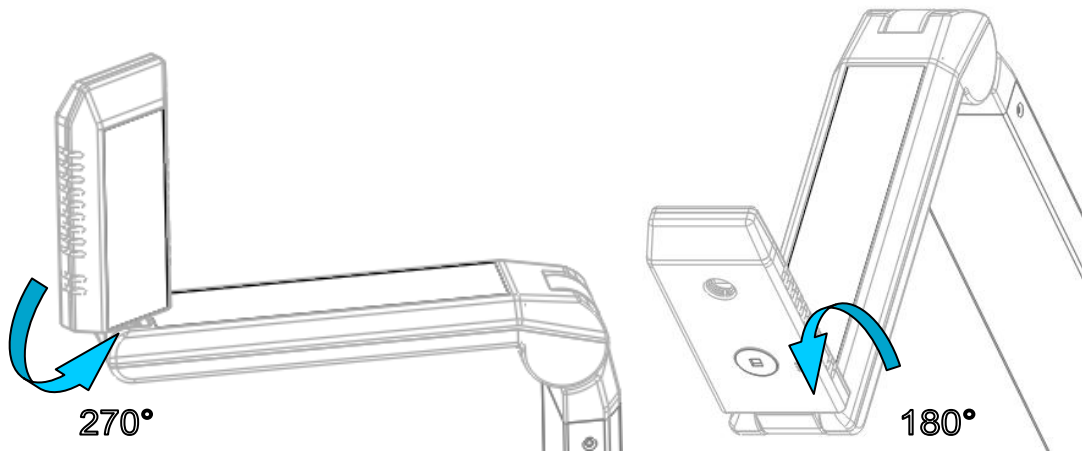
Adjust the mechanical arm 2

The mechanical arm 270 degree flips and 150 degree up and down to support the image and video taken.



Camera head adjustment

Camera head 270 degree rotate freely for live image and video taking from most of the view, plus the 180 degree up and down turnover for direction adjustment.



Software Features

- ◆ Image and video taken.
- ◆ Image and video savings in variety formats (png, bmp, gif, jpeg, mp4, rmvb, avi, mov).
- ◆ Select desired region to capture image.
- ◆ Region capture image clone and saved into Microsoft offices.
- ◆ Take snapshot at user specified time intervals and saved in set up file
- ◆ Live video sharing on social website such as Face book.
- ◆ Support picture in picture mode.
- ◆ System controls include auto white balance, brightness, contrast, etc.
- ◆ Document scanning.
- ◆ Live image freeze for taken.
- ◆ Live image zoom in and out.

- ◆ Live image 360 degree rotation.
- ◆ Live image title and split.
- ◆ Text, freehand, shapes and resource loading.
- ◆ Annotations hide and show at one button control.
- ◆ Clock stamp for current time showing.

Problems and Solutions

Problem	Possible causes	Solutions
No image	Poor document camera connection	Check if the USB power Cable is well connected and the light on base shows red.
Poor focus	Not enough light or too much light	Turn on/off the led lamps.
	Object beyond focus.	Adjust the shooting object position.
	Unclean camera glass.	Clean the glass with soft cloth.
No video after app starts or the device is selected.	Document Camera is being used in another program	Re-connect the USB and choose the device.
Blur image	Focus in manual mode	Change to auto mode by Focus Menu.
Video is not smooth	Computer configuration might be low.	Change the Camera to lower definition.
The image cannot be moved around	Freeze function of the device or in software is activated.	Press the Freeze button on the base or in the software to de-activate the function.
Glitter on the camera display area	Frequency difference.	Change the frequency (50HZ/60HZ) in the Camera Setting window.